



Voice of Trinity

Proclaiming Jesus Christ to the World

Trinity Lutheran Church, E.L.C.A.
1415 South McDuff Avenue
Jacksonville, Florida 32205

APRIL
2018

Church Office: (904) 389-5341
FAX: (904) 381-1381
tlcjax@trinity4jax.org
Website: trinity4jax.org



Easter Sunday
April 1, 2018

reSource Worship
8:30 AM



**Pancake
Breakfast**

Pancake Breakfast
9:45 - 10:45 AM



Easter Egg Hunt for Children
10:15 AM

Traditional Worship
11 AM



“I have seen the Lord!” (John 20:18)

This is the proclamation Mary Magdalene announced to the disciples after encountering, seeing the risen Jesus outside the empty tomb on what would be the first Easter morning. On this Easter Sunday 2018 and on the following Sundays of this coming Easter season in the message given, I will be asking you, the people of Trinity Lutheran, “Where have you recently seen the risen Jesus, the risen Christ, in your life, and in the world today?” And, I will be challenging us to proclaim these encounters, to share these “sightings” with one another and with the world. For me, being in Honduras for a week with other brothers and sisters in Christ specifically focusing on sharing the good news of Jesus Christ, the gospel, again opened my eyes to seeing the risen Jesus in the lives of people struggling to live each day and in the lives of our team as we ministered and shared the gospel among the Honduran people.

To “see” the Lord, to see the risen Jesus, gave Mary new life and hope. To see the risen Christ in our world today, to see Jesus being and dwelling in the lives of people, and inviting Jesus to be in my heart each day gives me new life and hope each day. In sharing our experiences of the risen Jesus with others gives new life and hope to a world that is desperately in need of the love and forgiveness of God that comes to us and world through Jesus Christ.

This Easter season, look for the Risen Jesus in the world, in the lives of others. Invite the risen Jesus to be in your heart each day. Know and share the good news that Mary proclaimed to the disciples and to the world. **“I have seen the Lord!”**

Blessed Easter to you!

In Christ’s service,

CHURCH STAFF

Pastor	Robert Kinley
Office Administrator	Kathy Stimmel
Organist/Choir Director	Kim Bloomer
Director of reSource Ministry	Jerry Johnson
Hostess	Rae Etmeyer
Nursery Attendants	Karen Brown Colleen Koehler

CONGREGATIONAL OFFICERS

President	Sarah Knight
Vice President	Dwane Tyson
Secretary	Mary Bollingberg
Treasurer	Jerry Johnson

COUNCIL MEMBERS

Tom Culverwell	Mary Bollingberg
Don Howard	Ruth Johnson
Sarah Knight	Joanne Martin
Joe Molenda	Casey Steel
Dwane Tyson	

NEWSLETTER DEADLINE

**Deadline for
May VOT
Sunday,
April 22nd**

Editor’s Note:

Please provide the church office with your articles by the 20th of the month unless another date is specified. Please meet the deadline so that the VOT can be distributed on time. Bring your items to the office or email to:

kathy@trinity4jax.org
or
tlcjax@trinity4jax.org



Church Office Hours

**M-Th 8:30AM - 2:30PM
F 8:30AM - Noon**



Attention Kids!

We will be having an Easter Egg Hunt again this year beginning at 10:15 a.m. during the Pancake Breakfast on Easter morning. Bring your baskets or something for collecting your eggs. There will be separate "Toddler" and "Big kids" hunts.

During this time we will have an opportunity for children to have a photo taken. You won't want to miss the fun!



**Pancake
Breakfast**

The Trinity Lutheran Youth and Rae Ettmyer will again be serving our Easter Breakfast from 9:45 - 10:45 p.m. between the two Easter morning worship services. Freewill donations will be accepted for the youth at the breakfast.



**Congregational
Meeting**

There will be a Congregational Meeting on **Sunday, April 8th** to discuss a possible capital campaign to raise money for roof repairs and other related expenses. **There will be one worship service that day at 10:00 a.m. Sunday School for all ages will begin at 9:00 a.m.**

Please make every effort to attend worship and the meeting that day to be a part of this very important step in the life of our church!



Spaghetti ~ Dinner

Robert E. Lee High School Chorus Spaghetti Dinner Concert

On Wednesday, April 11th, the Lee High School Chorus students will entertain us once again with a dinner concert in the Hall of Memories. The meal will again be Rae's special spaghetti. Funds raised will support the chorus on their year-end trip. Cost is \$10 for adults. Children under 12 are free. Doors open at 6:00 p.m.

Don't miss this opportunity to hear good music, eat delicious food, and help our neighborhood high school choral students.



Love Offering for April

Our April "Love Offering" to be received Sunday, April 1st, will be for our Trinity Relief and Needy Fund. This fund is used at the discretion of Pastor Robert to assist members and people in the community. Funds are administered in various amounts based on need, availability and purpose at the time. Love Offering envelopes will be available on April 1st. Make any checks payable to Trinity with a notation "Love Offering."

Women

WELCA Board Meeting

WELCA Board will meet at 12 noon on Monday, April 9, 2018 in the Cecil Poole room.

CIRCLE MEETINGS:

Martha Circle: Thursday, April 12, 10:30 a.m. - Cecil Poole room

Kitty Howell 387-0152

Hannah Circle: Thursday, April 12, 7:00 p.m. - home of Berni Tomaszewski, 5922 Ovella Rd. 777-9196

Mary Bollingberg 403-1557

Young Women's Lydia Circle

Lydia Circle will meet on Thursday, April 26th at 7:00 p.m. Call or text Pastor Janis for more information.

Save the Date

Ladies, save the date of **Saturday, May 19th** for our Spring Gathering at Trinity. The theme for the day is "Let Your Gentleness Be Known" taken from Philippians 4:4-8. More details regarding this gathering will follow.

Food Pantry News



During February 2018 we served the following numbers of people in the food pantry:

<u>MONTH</u>	<u># PERSONS</u>	<u># HOUSEHOLDS</u>
FEB	3,587	991

We distributed 36,466 lbs. of food during the month and we spent \$1,063.08 on food. Our average cost per pound of food was three cents. So far in 2018 we have served 2,184 households, consisting of 8,049 people. Also, we have distributed 87,468 pounds of food at a cost of \$4,063.74, an average of five cents per pound. **We are now receiving food deliveries/pickups each day of the week. All of this food has to be carried into the food pantry, weighed, and stored properly. In addition, many of the boxes are full of mixed product that must be sorted before we can put it on the shelf.** If you can help, please contact Tom Culverwell.

Thank you for the donations of paper and plastic bags. We continue to have to purchase paper and plastic bags. Your donations of paper and plastic bags will help us by lessening the number of bags we will have to purchase.

We appreciate any food donations, but we can stretch a dollar a lot farther than you can by buying food from a supermarket. By partnering with Feeding Northeast Florida Food Bank and Waste Not Want Not, we are able to get approximately \$20.00 worth of food for every \$1.00 donated.

In addition to your financial support, a total of **803 man-hours were donated to the food pantry in February.** Each volunteer hour has a value of \$18.85 on each volunteer hour performed, so **the 1,734 volunteer hours donated in 2018 is equal to a donation of \$32,685.90.**

WE REALLY NEED MORE HELP WITH SORTING AND STORING ALL THE FOOD RECEIVED. This work can be done sitting down. Please consider helping out with this if you can spare only a couple of hours per week. Since every pound of food received has to be carried into the food pantry, the receipt of food is a very labor intensive activity. If you can help in any way, it would be greatly appreciated. Even if it is only sorting out boxes of food, your participation would be greatly appreciated. Monday: retail pickup and bread pickup. Also the first and third Monday of each month we receive our USDA food, once again a very labor intensive event. Wednesdays and every other Friday we receive a "route end" delivery from Feeding Northeast Florida. The truck seldom arrives before 11 a.m. and much help is needed on these days as well. Lastly, on Thursdays we receive another retail pickup. If you can help on any of these days, it would be greatly appreciated. In addition, we began doing a retail pickup from the new Walmart at Collins Rd. & I-295 each Monday and Friday.

God continues to provide everything needed to run his food pantry, but we could use more manpower help. Because of the layout of the food pantry we cannot just move a pallet of food from the parking lot into the pantry. Each box or case must be hand carried inside and then sorted out and stored. We do use hand trucks, but it is still very labor intensive. Please look into your heart and if you can spare only a few hours per week, we can use your help.

Thank you and God bless all who help at the food pantry.

Tom Culverwell
Director

Gary Hautau
Operations Manager



SHE'S RETIRING!

Yes, our Church Administrator, Kathy Stimmel, is retiring May 31st, 2018, after 16 and a half years of loyal service, and NOW we want to honor her with a special luncheon. It is to be held here at Trinity, Sunday, April 29th in the Hall of Memories after the 11:00 a.m traditional worship service.

Please mark your calendar. We will need to get a head count so we can prepare enough food. There will be an insert in the Sunday bulletin to be used to RSVP or call Kim Bloomer. If you would like to help in any way, please also call Kim Bloomer at 635-9104 (cell) or 766-9858 (home).

To show our appreciation for her fantastic abilities shared with us these many years, we are collecting a Love Offering. Just place it in the offering plate any Sunday or you may mail it to the church.



The Quilters meet each Monday in the Cecil Poole room at 9:30 a.m. and work until noon. No experience is needed. Both men and women are welcome. We would love to have you join us! *Sincerely, Trinity Quilters*

???

Did You Know?

Did you know the reason why Easter is celebrated on different days each year? It's because Easter is called a "moveable feast," and it can fall on different dates between March 22nd and April 25th. You can blame the moon for that, because Easter is held on the first Sunday after the first full moon occurring on or after the spring equinox. All the other "moveable feasts" of the church, even its liturgical year, are all arranged around Easter.

And where do you think Easter eggs come from? Some people believe that they have their roots in Lent, because in medieval times people would regularly fast for Lent, and usually their fast included meat, milk and eggs. Of those three foods, eggs are the only ones that don't spoil quickly without refrigeration. After the Lenten fast was over, most families still had a good surplus of edible eggs, and they became an easy Easter gift. Maybe for egg hunts and not much for eating?

Most importantly, though, let's remember that Easter is the holiday that celebrates and commemorates the central event of our Christian faith: the resurrection of Jesus Christ three days after His death. Thanks be to God!

---Joanne Martin



Can You Give Us a Hand?

Looking for a way to serve one baby step at a time? Consider volunteering in the church nursery. Two attendants are needed and Colleen Koehler faithfully provides this service every Sunday for your children. Your help is needed for the first Sunday in May. Please contact Karen Brown at 779-0288 if you are able to accept this invitation.



THE TRINITY LUNCH BUNCH

Trinity's "Lunch Bunch" will meet on Tuesday, April 24th at 11:30 a.m. at Gigi's, 3130 Hartley Rd (behind Bob Evans) at I-295 and San Jose. Please sign up on the list in the Hall of Memories or cross your name off the permanent list if you do not plan to attend. Let Kim Bloomer (766-9858) know by Monday, April 23rd, if you need a ride.



Mark your calendar for Saturday, June 9th for the annual Trinity Yard Sale! Start collecting your unused or unwanted items to bring beginning after Wednesday, April 11th, then plan to shop on June 9th between the hours of 8 a.m. and 1 p.m.



- 1 Congregation
- 8 Molenda/Billy
- 15 Naugle/Rice
- 22 Hassler/Stephens
- 29

Communion Elements

- 1 Stimmel
- 8 Stimmel
- 15 Kelly
- 22 Koob
- 29 Kelly

Traditional Worship Service



Lectors

- 1 Michael Philips
- 8 Carolyn Molenda
- 15 Dwane Tyson
- 22
- 29

Sunday Morning "Takeaway" Leaders

- 1 Easter - No Takeaway
- 8 Pam Piersall & Sarah Knight
- 15 Kathy Koob & Judy Hassler
- 22 Ken & Beverly Davis
- 29 Pastor Janis Kinley

Councilperson of the Month

Dwane Tyson

Communion Assistants

Earl Delbaugh

Assisting Minister

Dwane Tyson




Date 11:00 AM Coffee Servers

- 1 Easter - no coffee hour
- 8 Judy Hassler & Geri Buchanan
- 15 Darlane Valentine & Joanne Martin
- 22 Leah Kelly
- 29 Men of Trinity

Sunday Visitor

- 1 Joanne Mrrtin
- 8 Michelle Stephens
- 15 Kitty Howell
- 22 Pastor Janis Kinley
- 29 K. Bloomer & C. Valentine

Sunday	Monday	Tuesday	Wednesday	Thursday	Friday	Saturday																																																																																					
<p>1</p> <p>8:30 AM reSource Easter worship</p> <p>9:45 AM -10:45 AM Pancake breakfast</p> <p>10:15 AM Easter Egg hunt</p> <p>11:00 AM Traditional Easter worship</p>	<p>2</p> <p>CHURCH OFFICE CLOSED</p>	<p>3</p> <p>3:15 PM CEW</p> <p>6:30 PM Young Adult Bible Study</p>	<p>4</p>	<p>5</p>	<p>6</p>	<p>7</p>																																																																																					
<div style="border: 1px solid black; padding: 2px; display: inline-block;">Pastor Robert Out-of-Town</div>																																																																																											
<p>8</p> <p>9:00 AM Discipleship Training</p> <p>9:00 AM Sunday School for all ages</p> <p>9:15 AM Adult choir</p> <p>10:00 AM Worship</p> <p>11:15 AM Congregational meeting</p>	<p>9</p> <p>9:30 AM Quilters</p> <p>12:00 PM WELCA Board</p> <p>6:00 PM Adult Choir</p>	<p>10</p> <p>3:15 PM CEW</p> <p>6:30 PM Council meeting</p>	<p>11</p> <p>6:00 PM Lee High School Spaghetti Dinner Concert</p>	<p>12</p> <p>10:30 AM Martha Circle</p> <p>7:00 PM Hannah Circle</p>	<p>13</p>	<p>14</p> <p>8:00 AM -3:00 PM Via de Cristo team meeting</p>																																																																																					
<p>15</p> <p>9:00 AM reSource worship</p> <p>10:05 AM Discipleship Training</p> <p>10:05 AM Sunday School for all ages</p> <p>10:15 AM Adult Choir</p> <p>11:00 AM Traditional worship</p>	<p>16</p> <p>9:30 AM Quilters</p> <p>6:00 PM Adult Choir</p>	<p>17</p> <p>6:30 PM Young Adult Bible Study</p>	<p>18</p>	<p>19</p>	<p>20</p>	<p>21</p>																																																																																					
<div style="border: 1px solid black; padding: 2px; display: inline-block;">Via de Cristo weekend</div>																																																																																											
<div style="border: 1px solid black; padding: 2px; display: inline-block;">9:00 AM AARP Driving Class</div>																																																																																											
<p>22</p> <p>9:00 AM reSource worship</p> <p>10:05 AM Discipleship Training</p> <p>10:05 AM Sunday School for all ages</p> <p>10:15 AM Adult Choir</p> <p>11:00 AM Traditional worship</p> <p>Via de Cristo weekend</p>	<p>23</p> <p>9:30 AM Quilters</p> <p>6:00 PM Adult Choir</p>	<p>24</p> <p>11:30 AM Trinity Lunch Bunch</p>	<p>25</p>	<p>26</p> <p>7:00 PM Lydia Circle</p>	<p>27</p> <p>11:30 AM NFAN luncheon</p>	<p>28</p> <p>5:30 PM Square Dancers</p>																																																																																					
<p>29</p> <p>9:00 AM reSource worship</p> <p>10:05 AM Discipleship Training</p> <p>10:05 AM Sunday School for all ages</p> <p>10:15 AM Adult Choir</p> <p>11:00 AM Traditional worship</p> <p>12:30 PM Retirement luncheon</p>	<p>30</p> <p>9:30 AM Quilters</p> <p>6:00 PM Adult Choir</p>	<div style="display: flex; justify-content: space-around;"> <div style="border: 1px solid black; padding: 5px; text-align: center;"> <p>Mar 2018</p> <table border="1"> <tr><td>S</td><td>M</td><td>T</td><td>W</td><td>T</td><td>F</td><td>S</td></tr> <tr><td></td><td></td><td></td><td>1</td><td>2</td><td>3</td><td></td></tr> <tr><td>4</td><td>5</td><td>6</td><td>7</td><td>8</td><td>9</td><td>10</td></tr> <tr><td>11</td><td>12</td><td>13</td><td>14</td><td>15</td><td>16</td><td>17</td></tr> <tr><td>18</td><td>19</td><td>20</td><td>21</td><td>22</td><td>23</td><td>24</td></tr> <tr><td>25</td><td>26</td><td>27</td><td>28</td><td>29</td><td>30</td><td>31</td></tr> </table> </div> <div style="border: 1px solid black; padding: 5px; text-align: center;"> <p>May 2018</p> <table border="1"> <tr><td>S</td><td>M</td><td>T</td><td>W</td><td>T</td><td>F</td><td>S</td></tr> <tr><td></td><td></td><td></td><td>1</td><td>2</td><td>3</td><td>4</td><td>5</td></tr> <tr><td>6</td><td>7</td><td>8</td><td>9</td><td>10</td><td>11</td><td>12</td></tr> <tr><td>13</td><td>14</td><td>15</td><td>16</td><td>17</td><td>18</td><td>19</td></tr> <tr><td>20</td><td>21</td><td>22</td><td>23</td><td>24</td><td>25</td><td>26</td></tr> <tr><td>27</td><td>28</td><td>29</td><td>30</td><td>31</td><td></td><td></td></tr> </table> </div> </div>					S	M	T	W	T	F	S				1	2	3		4	5	6	7	8	9	10	11	12	13	14	15	16	17	18	19	20	21	22	23	24	25	26	27	28	29	30	31	S	M	T	W	T	F	S				1	2	3	4	5	6	7	8	9	10	11	12	13	14	15	16	17	18	19	20	21	22	23	24	25	26	27	28	29	30	31		
S	M	T	W	T	F	S																																																																																					
			1	2	3																																																																																						
4	5	6	7	8	9	10																																																																																					
11	12	13	14	15	16	17																																																																																					
18	19	20	21	22	23	24																																																																																					
25	26	27	28	29	30	31																																																																																					
S	M	T	W	T	F	S																																																																																					
			1	2	3	4	5																																																																																				
6	7	8	9	10	11	12																																																																																					
13	14	15	16	17	18	19																																																																																					
20	21	22	23	24	25	26																																																																																					
27	28	29	30	31																																																																																							



**DISCIPLESHIP CLASS
DISCIPLESHIP
TRAINING
STUDENTS**

Discipleship Training students meet every Sunday morning in the upstairs Sunday School/Youth area beginning at 10:05 a.m. Students will meet at **9 a.m.** on Sunday, April 8, 2018.



**CEW Coach Jones
Honored**

Congratulations to Coach Michael Jones, who has been our Children's Enrichment Workshops (CEW) boys' basketball coach for twenty years! Coach Jones was selected from over 160 nominees and honored as the Duval County Public Schools Employee of the Year for 2017-18. He is an ESE paraprofessional at Westview K-8 and works with special needs students with "profound and multiple disabilities." Congratulations to Coach Jones on receiving this honor. Coach will also be retiring from the school system after this spring term.



Congratulations to **Jesse and Rachel Hunt Hautau** on the birth of a son, **Garrison Craig Hautau** on Tuesday, March 20, 2018. Garrison is the grandson of **Gary and Fanny Hautau**.



A BIBLE DIARY

JANUARY: A busy time for me. Most of the family decided to read me through this year. They kept me busy for the first two weeks. They have forgotten me now.

FEBRUARY: My owner used me for a few minutes last week. He had been in an argument and was looking up some references.

MARCH: Grandpa visited us. He kept me on his lap for an hour reading 1 Corinthians 13.

APRIL: I had one busy day. My owner was appointed leader of something and used me. I got to go to church services for the first time this year - Easter Sunday.

MAY: I have a few green stains on my pages. Had some early spring flowers pressed in me.

JUNE: I look like a scrapbook. They have me stuffed full of clippings from the newspaper. One of the girls got married.

JULY: They put me in a suitcase today. I guess we are going on vacation. I wish I could stay at home, as I will have to stay in this thing for a month.

AUGUST: Still in the suitcase.

SEPTEMBER: Back home again and in my old place. Have lots of company. Two True Stories and four comic books are on top of me. I wish I could be read as much as they are.

OCTOBER: They used me a little today. One of them is very sick. Right now I am shined up and in the center of the table. I think the preacher is coming.

NOVEMBER: Back in my old place.

DECEMBER: They are getting ready for Christmas, so I'll be covered under wrapping paper and packages.

by Chaplain Willie Spann

from City Employees Association newsletter 2003

shared by Kitty Howell



We extend our Christian sympathy to **Colleen Taylor** and family upon the passing of her brother, **Rob King**, on Sunday, March 4, 2018.



Congratulations to **Jared Painter and April Ballard**, daughter of Trinity member **Nancy Ballard**, who were married by Pastor Robert on March 10, 2018 at The Country Knot, Jacksonville, FL. May God's blessings be on this couple now and always.

**YOUNG ADULTS
BIBLE STUDY**

The Young Adult Bible Study group will meet at Trinity on Tuesday, April 3rd and Tuesday, April 17th at 6:30 p.m.

Trinity Lutheran Church - Treasurer's Report – February 2018

Here's a summary of our contributions and expenses against the budget.
Let me know if you have any questions.

Housekeeping

1. Please remember to have your check request **approved** by Pastor Robert before you submit it.
2. My office hours are every Monday evening.

Thanks for your cooperation.

Gini

1/31/18 to 2/28/18 - ACTUAL VERSUS BUDGET

		<u>Contributions</u>
\$38,706.95	-	Actual General Fund Contributions
\$42,938.00	-	Budgeted General Fund Contributions
(\$ 4,231.05)	-	Actual Contributions are <u>Less</u> than Budgeted Contributions
		<u>Expenses</u>
\$42,406.33	-	Actual General Fund Expenses
\$43,896.00	-	Budgeted General Fund Expenses
\$ (1,489.67)	-	Actual Expenses are <u>Less</u> than Budgeted Expenses

GUMBO de MAYO

Since our last update, we continue to be involved with the Solid Rock Ministry, which includes "Church Behind Bars." We made trips to Ocala from May to December (omitting September) to participate in CBB at Marion (men) and Lowell (women) prisons. This movement identifies leaders, teaches and encourages them, and releases them to run the program after a year of training.

We have also made trips to (1) West Palm Beach in Sept., where James participated in a fund-raising concert for Solid Rock, (2) Port St. Lucie in Jan. for a "Sons of God" Biker Blessing concert, and (3) Orlando in Feb. to participate in a COPE (Coalition of Prison Evangelists) conference, with James as Praise and Worship Leader for several assemblies.

We will now be traveling to Ocala quarterly, beginning in March, to check on this "new church", with different men and women enrolled in the program, led by those who graduated last December.

Your response to our "**Best Soup—Bar None**" project was greatly appreciated, and frugally managed, so that we were able to make three trips to Ocala and the three other trips (motel, gas, food). We now ask your help for our quarterly trips in 2018 to Ocala, possibly a ministry in Virginia, and other destinations that might arise.

James will be making his "*famoso gumbo*" as a fundraiser. Deadline to sign up on a sheet in the Hall of Memories is **April 29**, and the gumbo can be picked up on **May 5** in the Cecil Poole Room from 10 A.M.-12 P.M. The cost is **\$20 a quart**. You can choose **SPICY** or **NON-SPICY**. If for some reason (allergy or dislike), you would rather make a donation, make a note on the sign-up sheet. Any questions, call James at **904-674-7663**.

We will be donating 10% of the Trinity donations to the fund for church repair.

We ask you to continue to pray for this ministry and are so thankful for your prayers, generosity, and support, as we serve our **DIOS MARAVILLOSO** (Awesome God).

GRACIAS!!

James and Donna White



Dear Pastor Robert,

On behalf of the congregation of Avondale United Methodist Church we are pleased to present you with the funds that were raised on February 5 at our "Souper Bowl of Sharing" event. Our collaboration with Trinity Lutheran food pantry is aligned with our spiritual mission of "reaching in, reaching up and reaching out in Christian love." We look forward to continuing to provide a team of volunteers for pantry. We also look forward to strengthening our mutual goal of raising awareness and funding for the vital mission of helping provide food security in our community.

Enclosed please find a check in the amount of \$1,025.00, the total and entire sum raised at the "Souper Bowl" event.

Sincerely Yours,

Mary K. Robinson,

Missions coordinator

The Rev. Clare W. Chance,

Senior pastor

CEW Spaghetti Dinner Report

The annual CEW

(Children's Enrichment Workshops) Spaghetti dinner to raise funds to provide bus transportation for the students to attend the Tuesday and Thursday programs at the participating churches was again a great event and success. Over \$850 was raised from the evening, and the Riverside-Avondale community came together to enjoy entertainment and demonstrations provided by the Melody Makers students at Riverside Avenue Christian Church, the Yoga students at Trinity, a dramatic monologue and a ballet dance performance by students at Fishweir Elementary school.

Many thanks to volunteers from Trinity and participating churches of CEW who helped with dinner. Special thanks to **Rae Ettmyer and Gary Hautau** for again cooking and preparing the delicious spaghetti, and to **Beverly Davis** for coordinating the volunteers and dinner.



Via de Cristo

Calling all people who would love to experience a spiritual renewal. There are several members of Trinity who have been blessed to attend a Via-de-Christo weekend. Via-de-Christo means: "the way of Christ." It's like a pilgrimage, but it only takes three days and lasts a lifetime.

Via-de-Christo is a Lutheran lay movement, but you don't have to be Lutheran to attend; you don't even have to be a member of Trinity. So you could share this with a friend or relative who attends another church.

Weekends are held at Luther Springs. The accommodations are very nice and the food is great. What could be better? Well... It's FREE!!! The members of Trinity who have experienced this weekend want to share it with you. They have committed to take care of all needs. This includes picking you up at your door Thursday evening, and returning you home on Sunday.

We truly believe this is an amazing opportunity for renewal.

The next weekend is a Co-ed weekend, open to men, women, married, or single. The upcoming weekend is April 19-22. With God's help, Beverly Davis is leading this weekend. We know it will be great!

If you have questions please ask: Ken or Beverly Davis, Byron or Mary Bollingberg, Kitty Howell, Tom or Linda Culverwell, Judy Hassler, Joanne Martin, Dwane Tyson, Sarah Knight, Geri Buchanan, Joe or Carolyn Molenda, Robert or Janis Kinley, Jerry or Ruth Johnson, Karen Brown, Kathy Stimmel, or Marlene Powers.

Trinity Lunch Bunch Schedule for 2018

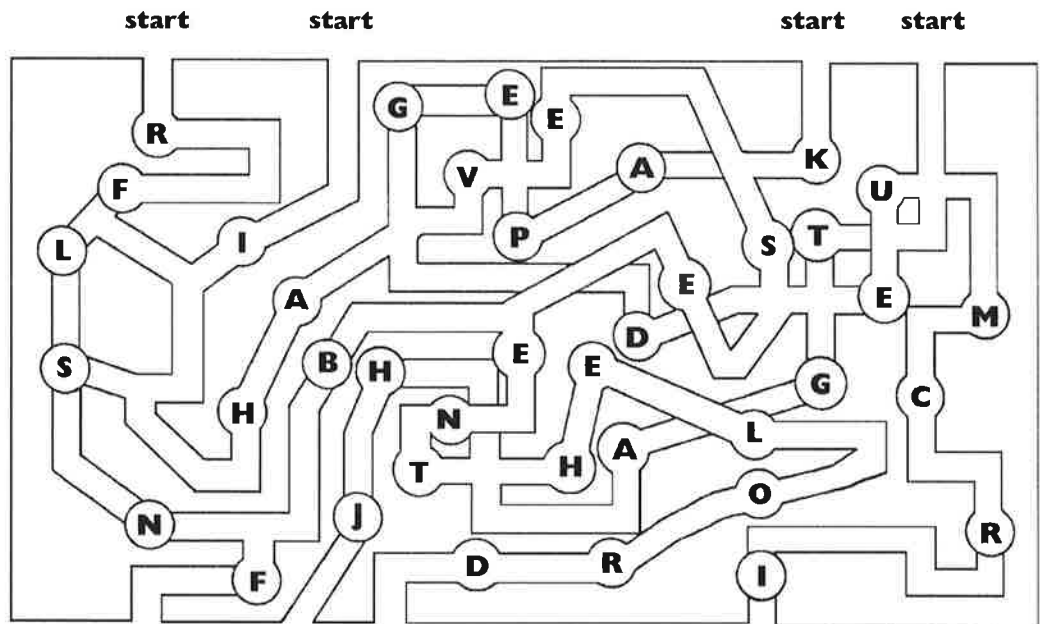
The Trinity Lunch Bunch meets on the 4th Tuesday of every month unless announced otherwise. Here is the tentative schedule for the remainder of 2018:

April 24	Gigi's
May 22	Cedar River Seafood
June 26	What's Cooking
July 24	Mediterrania
August 28	Silver Star Chinese
September 25	Trent's Seafood
October 23	Willard's BBQ
November 27	Olive Garden
Thursday, Dec. 13	Kaika

Please sign up on the list in the Hall of Memories if you wish to join us. All are welcome! You can put your name on the permanent list or just sign up month to month. Remember to call Kim Bloomer the Monday before the lunch if you need a ride.

What Did Mary Say to the Disciples?

To find the answer, start at one of the openings. Make your way through the maze, writing the letters in the blanks as you pass them. If you run into a blocked path (line) you must start over at another opening (see John 20:18).



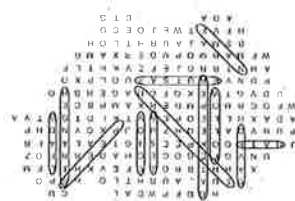
I have seen the Lord.
Answer:

Word Find

Find words from John 10:1-10 in the word search.



- Word List**
 GATE
 SHEPHERD
 SHEEP
 GATEKEEPER
 VOICE
 NAME
 LEADS
 FOLLOW
 STRANGER
 JESUS
 SAVED
 PASTURE



Children's Sunday School



Children meet from 10:05 a.m. - 10:55 a.m. on Sunday mornings. We are studying from the Spark curriculum.



ADULT SUNDAY SCHOOL

Adult Sunday School led by Joe Molenda meets in the Cecil Poole room from 10:05 - 10:55 a.m. Please join us.

Sunday Morning "Takeaway"

Adults and Senior Youth meet in the Hall of Memories from 10:05 to 10:55 a.m. to study the day's Gospel text.



Worship Schedule

reSource Worship
9:00 a.m.

Adult Sunday School
10:05 a.m.

Children's Sunday School
10:05 a.m.

Adult/Senior Youth
"Takeaway"
10:05 a.m.

Discipleship Training
10:05 a.m.

Traditional Worship
11:00 a.m.